

LEDOS III

Recessed LED luminaires

Accentuating, guiding, designing: the third generation provides quintessential application diversity and efficiency.

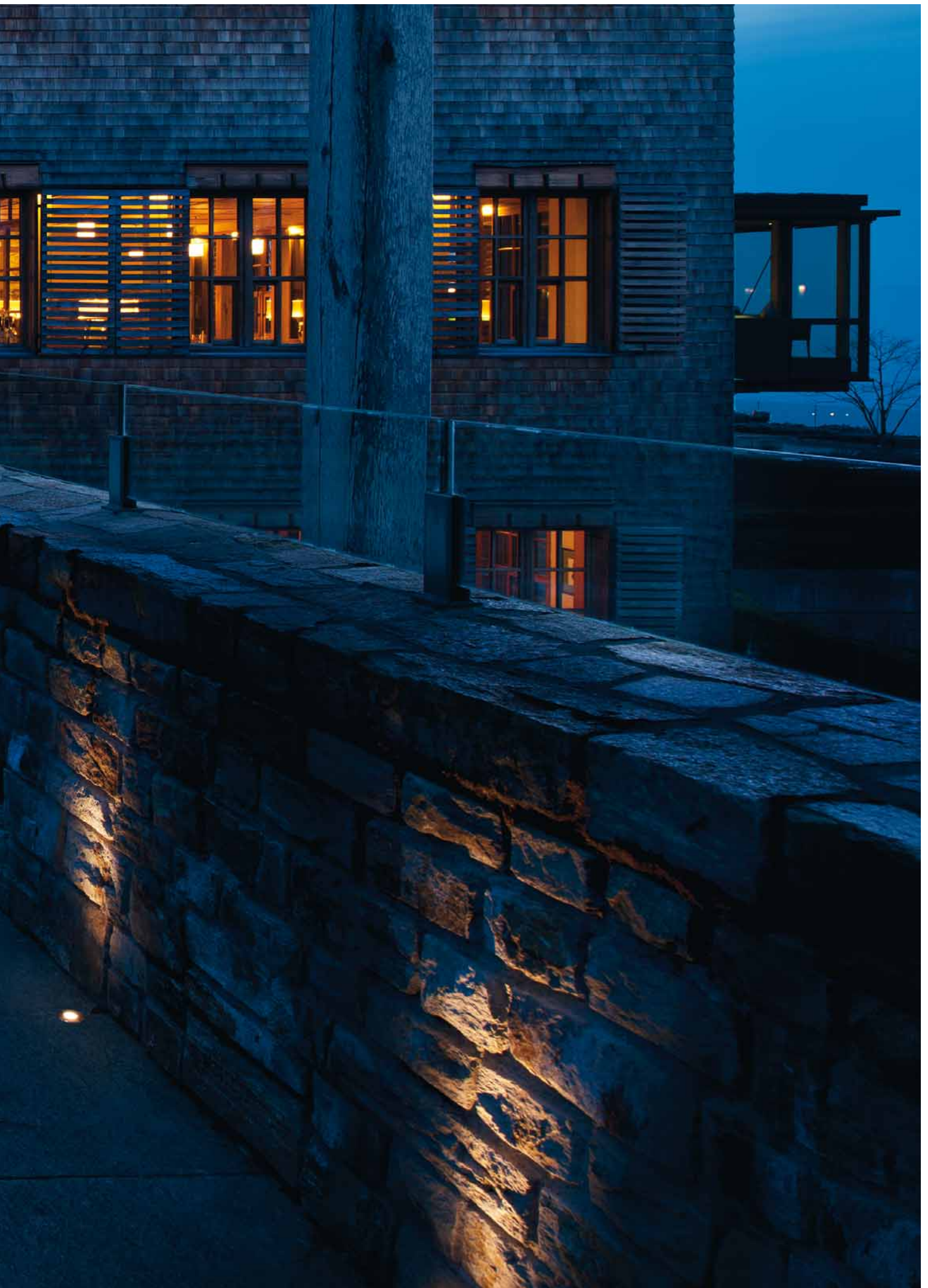




LEDOS III

Miniaturisation meets variety and efficiency

The third generation of LEDOS is available in three sizes and two designs and is generally smaller, more powerful and more efficient. This highly flexible recessed luminaire produces impressive technical lighting results and excels as an all-rounder for walls, floors and ceilings in indoor and outdoor locations. Different optics ensure application diversity using high-precision lighting technology, ranging from lighting points that allow easy orientation through to façade elements precisely lit in warm or cool white light. These luminaires boast reliable protection (IP67), can be walked over and can bear loads of up to 1000 kg.



LEDOS III

Threefold problem-solving expertise



Safe orientation

Even small lighting points reliably show the way in dark environments.

LEDOS III S

Orientation lighting provided by the smallest of luminaires

With a diameter of just 30 mm or a side length of 29 mm (square model), the LEDOS III S luminaire shoulders responsibility for important lighting tasks: small lighting points provide orientation and create accents while nevertheless remaining unobtrusive. In cinemas and theatres, it reveals its talents as an indoor luminaire, while in entrances of shops and restaurants and on façades, the small LEDOS III S luminaire displays its highly effective side. Models with domed lenses are available to achieve an optimal long-distance effect.

- Orientation lighting with extremely small lighting points
- Unobtrusive design for architecturally exemplary integration
- Flat lenses, domed lenses for longer distances



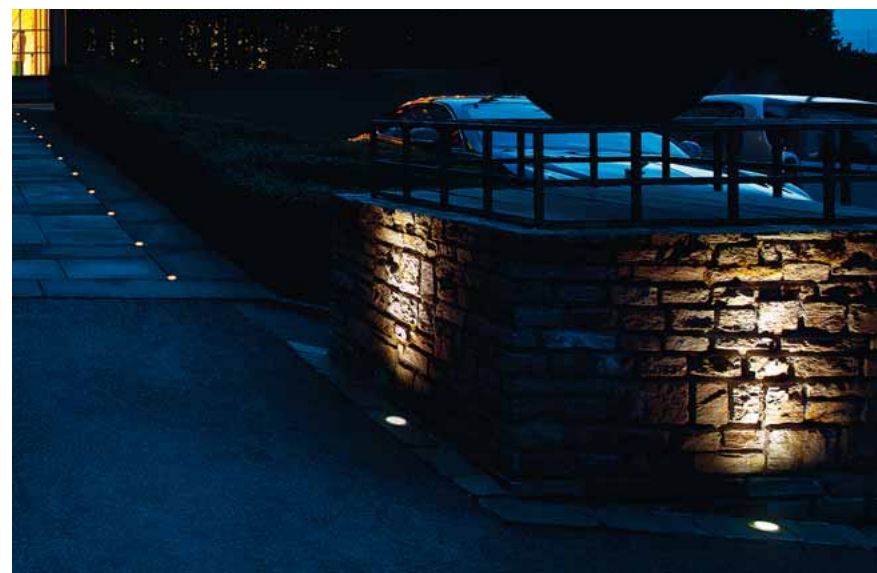
Creating accents
Targeted lighting emphasises details and creates a special ambience.

LEDOS III M

Perfect emphasis with defined light distribution

The medium-sized model of this recessed luminaire fulfils two important functions: accent lighting with narrow-beam or medium wide-angle cones of light as well as diffuse lighting from ceilings, walls and floors. LEDOS III M emphasises wall textures or interiors and can also be used for easier orientation. The round version has a diameter of 45 mm and the square version has a side length of 43 mm; both are ideal for indoor and outdoor lighting. This is why this luminaire is being used more and more widely in integrated lighting concepts for hotels, wellness facilities, shops, shopping malls, care homes and retirement homes.

- Diffuse optics aid orientation in driveways, access routes and entrance areas
- Targeted accent lighting lends structure to circulation areas, surfaces and façades
- Wide-area beam patterns enhance surefootedness on steps and stairs



Lighting at the highest level
Using cones of light to provide texture and decoration

LEDOS III L

Powerful and functional with direct mains supply

The largest member of the LEDOS III product range comes with all the features required for direct connection to a 230 V mains supply. Integrating the power unit inside the luminaire makes installation considerably simpler. Its significantly higher lighting level makes LEDOS III L an extra powerful luminaire. With a diameter of 89 mm or a side length of 85 mm, this luminaire bridges the gap between decorative accent lighting and functional lighting. It can be used to implement lighting solutions in indoor and outdoor locations, such as balconies or canopy roofs, simply and easily.

- Strong accent lighting and discreet lighting from ceilings and floors
- Possibility of fine optical adjustment to suit individual lighting tasks
- Straightforward installation thanks to direct connection to mains supply voltage

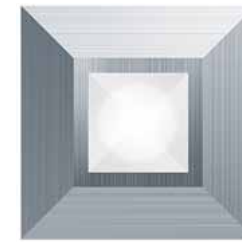
LEDOS III

Design variety in terms of both form and function

LEDOS III L D 89 mm
LED 1 x 2.7 W with
frosted opal panel



LEDOS III S D 30 mm
LED 1 x 0.6 W | scale 1:1



LEDOS III S Q 29 mm
LED 1 x 0.6 W | scale 1:1



LEDOS III S D 30 mm
with domed lens
LED 1 x 0.6 W | scale 1:1

LEDOS III S

With a diameter of just 30 mm, the LEDOS III S model provides decorative architectural accent lighting and easier orientation and guidance. As a luminaire with IP67 protection, it covers a wide range of applications in indoor as well as outdoor areas. The luminaire can be walked over and can withstand loads of up to 1000 kg. Round and square models, each with a choice of a flat or domed lens, are available. With their fully frosted, opal panels, these luminaires ensure glare-free, uniform illumination and have an excellent long-distance effect.

Model sizes
ø D 30 mm | □ Q 29 mm

Light source
1 x 0.6 W SMD LED | 24 V | colour rendering Ra > 80

Colour temperatures
3200 K | 6000 K

Orientation lighting
Flat or domed lens | frosted opal panel

Cover
Special steel V4A, AISI316 L (corrosion resistant)



LEDOS III M D 45 mm
LED 1 x 1.25 W | **scale 1:1**



LEDOS III M Q 43 mm
LED 1 x 1.25 W | **scale 1:1**



LEDOS III L D 89 mm
LED 1 x 2.7 W | **scale 1:1**



LEDOS III L Q 85 mm
LED 1 x 2.7 W | **scale 1:1**



LEDOS III M D 45 mm
with flat lens
LED 1 x 1.25 W | **scale 1:1**

LEDOS III M

Incorporating powerful LEDs, the 45 mm LEDOS III M model demonstrates huge flexibility – it can be used as a wall-mounted luminaire, recessed floor luminaire or recessed ceiling luminaire. All models, regardless whether round or square, are available in warm white and cool white colour temperatures. Different lighting tasks are handled by appropriate beam patterns: narrow-beam lenses provide stark accent lighting whereas wide-angle optics draw attention to surfaces and objects. Asymmetric lens technology is used to illuminate stairs and corridors safely.

Model sizes
ø D 45 mm | □ Q 43 mm

Light source
1 x 1.25 W high-power LED | 24 V | colour rendering Ra > 80

Colour temperatures
3200 K | 6000 K

Orientation lighting
Flat lens | opal frosted panel

Accent lighting
Transparent panel | Spot 10°
Transparent panel | Flood 30°
Transparent panel, grooved | asymmetric optic

Cover
Special steel V4A, AISI316 L (corrosion resistant)



LEDOS III L D 89 mm
with flat lens
LED 1 x 2.7 W | **scale 1:1**

LEDOS III L

LEDOS III L is directly connected to the 230 V mains supply and, as the largest model in this product range, it produces significantly greater luminous flux and correspondingly higher illuminance levels. It offers the right lighting solution for various applications as an uplight or downlight, with cool or warm white light, with narrow-beam and wide-angle lenses or an oval diffuser. A built-in swivel mechanism allows precise alignment with the surface that is to be illuminated.

Model sizes
ø D 89 mm | □ Q 85 mm

Light source
1 x 2.7 W high-power LED | 230 V | Colour rendering Ra > 80

Colour temperatures
3200 K | 6000 K

Orientation lighting
Flat lens | opal matt panel

Accent lighting/projected light
Transparent panel | Spot 7°
Transparent panel | Flood 23°

Cover
Special steel V4A, AISI316 L (corrosion resistant)

LEDOS III S and M

Indoors and outdoors: equally simple and safe



The asymmetric Fresnel lens accurately directs light onto steps and circulation areas and gives a sense of security in low-light environments in cinemas or concert halls. Orientation and safety are taken care of, both outdoors and indoors. The photo above shows how the foyer and stairway are both adequately lit thanks to LEDOS III M's asymmetric beam pattern and Fresnel lens. An unmistakable marking on the luminaire indicates the correct mounting direction, thus ensuring that the luminaire can be installed quickly without any risk of a mix-up.

LEDOS III S and M installation

With its IP67 protection, LEDOS III is suitable for damp locations and wellness areas in indoor areas as well as a wide variety of outdoor lighting tasks. Accessories allow straightforward installation and ensure a long luminaire service life.

Installation in cavity walls

Thanks to its shallow mounting depth, LEDOS III is especially suitable for cavity walls and hollow ceilings. Other application areas include 5 to 20 mm thick raised floors with counter-battens (e.g. wooden decking on terraces or in wellness areas). Special steel springs are available as accessories; these ensure the luminaire is fixed quickly and securely. In indoor locations, push-lock terminals ensure dependable electrical connection.



LEDOS III M D 45 mm
LED 1 x 1.25 W



Installation using casting surround

1 | Luminaire unit The uniqueness of LEDOS III lies in its size and the use of an electrical cramping connector (patent pending). The luminaire housing has a permanently moulded-on 2 mm thick special-steel trim, thus making the ingress of any moisture through the top of the housing impossible. LEDOS III M uses all the power of high-power LEDs but has been designed as a 24 V DC version. This allows simple parallel wiring, and a malfunctioning luminaire can be identified without the entire circuit failing. Built-in bridge rectifiers ensure polarity insensitivity – inadvertently reversing positive and negative polarity has no effect on operating capability.



2 | IP67 cable connector for LEDOS III M (accessory) LEDOS III luminaires are supplied with cable assemblies. These are 1 m long in the case of size M models and are electrically connected via cable connectors. To do this, the cable ends are inserted and sealed in the terminals in the same way as with a cable gland. Another installation advantage: in the well sealed recessed housing, there is sufficient space for the cable connector and feed line. Size S models are fitted with a 3 m long feed line, which is connected directly to a junction box.



3 | Installation in outdoor locations An effective 20 cm thick soakaway is required underneath the flush-mounted housing in order to drain off ground water. Connection to the supply voltage is obtained outside the casting surround in suitable junction boxes.

LEDOS III L

Problem-solver thanks to direct connection to mains supply

LEDOS III L installation

LEDOS III L with IP67 protection meets all the requirements for installation in indoor and outdoor locations. The luminaire housing made of die-cast aluminium ensures heat dissipation for the LED and power unit. This is the only model size in the LEDOS III product range that features direct connection to the mains supply. Installation without a separate power unit is simpler and quicker. The special-steel mounting brackets facilitate installation even more. The brackets are factory-fitted to the luminaire and make installation easier for all trades.

Installation in hollow ceilings and raised floors

As with LEDOS III S and M, a spring installation kit which is available as an optional accessory is used to fix the luminaire housing of the L size model directly in hollow ceilings or raised floors.



LEDOS III L Q 85 mm
LED 1 x 2.7 W



Installation in casting surround

1 | Luminaire unit LEDOS III L's die-cast aluminium housing has many benefits: it makes the luminaire highly stable and dissipates heat. Its built-in power unit makes it possible to connect the luminaire directly to the 230 V mains supply. With a robust, 8 mm thick glass cover mounted in a V4A special-steel ring (AISI 316L), LEDOS III L can withstand loads of up to 1,000 kg and therefore be walked over. The LED module can be pivoted through approximately 15° and pointed easily at the surface that is to be lit to ensure accurate illumination and greater flexibility.



2 | Luminaire connection LEDOS III L is equipped with a 1.5 m long feed line. This makes it unnecessary to open the luminaire housing to obtain connection to an external mains supply. In indoor locations where IP65 or IP67 protection is not required, luminaires can be installed using normal commercially available contact clips. In outdoor locations it is advisable to use the IP67-protected cable connector to obtain connection in the castings around. As described in the case of LEDOS III S and M, this guarantees safe, long-term, disconnectable installation. Disconnection may be necessary during maintenance or renovation work. The luminaire is quickly and securely fixed in the casting surround by the integral special-steel springs.

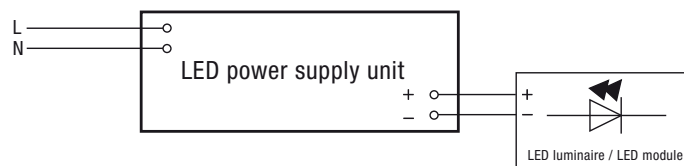


LEDOS III

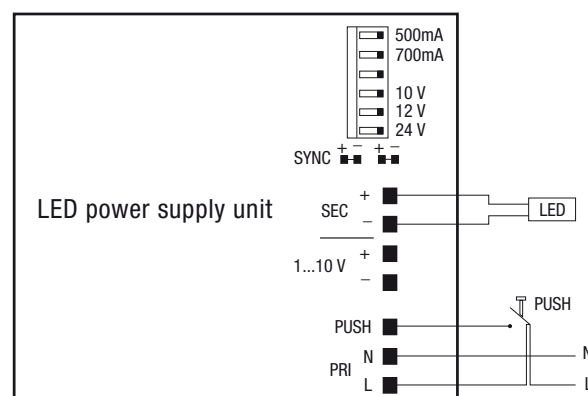
Installation

Installing and wiring the 24 V DC luminaires is very simple; they are connected to each other in parallel. Suitable LED power units and dimming converters are available as accessories with strain relief on all terminals. The number of units required varies depending on the installed load.

LED power unit 25 W K201



Electronically dimmable LED power unit



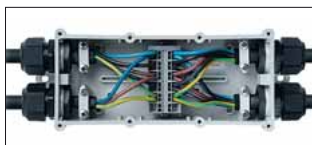
LEDOS III group connection options

Order no./model	60010022 Power unit 10 W 24 V switchable	86453418 Power unit 25 W 24 V switchable	60010017 Power unit, 1– 10 V, pushDIM dimmable
LEDOS III S 0.6 W SMD-LED	1 to 15	1 to 30	1 to 28
LEDOS III M 1.25 W high-power LED	1 to 7	1 to 16	1 to 14

Figures refer to the number of luminaires
LEDOS III L luminaires are connected directly to the 230 V mains supply and are switchable

IP67 universal box

The IP67 universal box does a useful job of ensuring safe wiring in outdoor locations and when used to accommodate external control gear with IP20 protection. Suitable cables are connected by cable glands.



LEDOS III S

[...] Shared properties LEDOS III S

- Miniaturised LED luminaire for installing in floor, wall or ceiling
- Trim and luminaire housing are permanently fixed together
- Luminaire housing and frosted protective cover made of polycarbonate
- SMD-LED with flat or domed frosted lens optic, wide beam
- Colour temperature: 3200 K (LED832) or 6000 K (LED860)
- Colour rendering index: RA 80
- Degree of protection IP67, IP65 (when installed in closed ceilings)
- Protection class III
- Installed load: 0.6 W
- Protective low voltage: 24 V-DC SELV
- Power lead: 3 m (2-pole), with PG cable gland on housing
- Max. load for pedestrian traffic: 1000 kg
- Impact strength: IK 09
- Maximum surface temperature of protective cover is 34 °C
- Concrete casting surround required for installation in concrete floors, walls or ceilings (please order separately)
- Special installation kit (5-20 mm) required for installation in cavity floors, walls or ceilings (please order separately)
- Please order 24 V power packs separately (switched or dimmable)
- LED power unit (60 010 017), output signal: 24 V DC (via dip switch), output power: 20 W; switchable, optionally dimmable (pushDIM, 1-10 V) must be ordered separately
- External loop-in/loop-out of cable possible using IP67 universal box; please order separately

LEDOS III S D30 recessed floor luminaire, circular

RD/R0 Order no.

- [...]
- Stainless steel trim, V4A/AISI 316L grade with high corrosion resistance

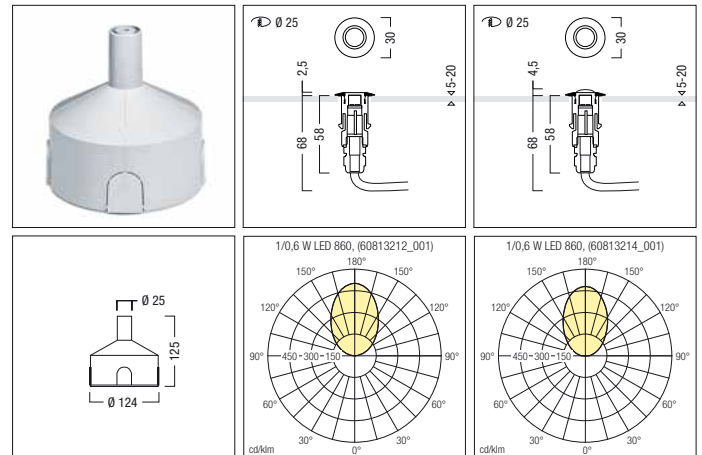


Circular trim (overlapping)

1/0,6 W LED832, 24 V convex protective cover, domed	68/25	60 813 215
1/0,6 W LED832, 24 V flat protective cover, frosted	68/25	60 813 213
1/0,6 W LED860, 24 V convex protective cover, domed	68/25	60 813 214
1/0,6 W LED860, 24 V flat protective cover, frosted	68/25	60 813 212

Accessory

LEDOS III S concrete casting surround	60 800 674
LEDOS III S installation kit for cavity floors/ceilings/walls	60 800 676



LEDOS III S Q29 recessed floor luminaire, square

EL/EB/ET Order no.



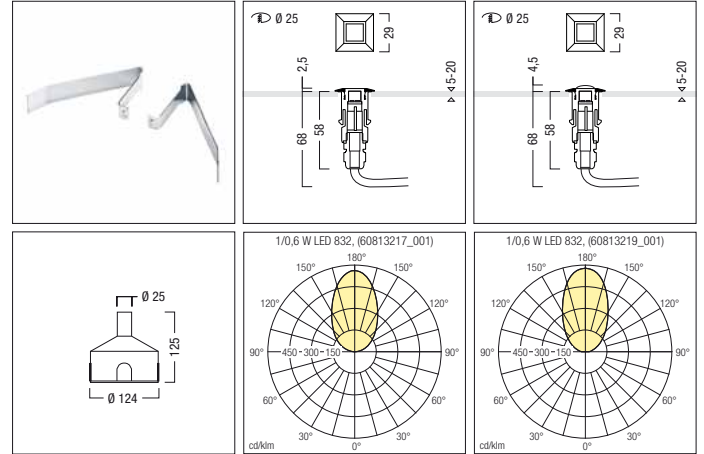
- [...]
 - Stainless steel trim, V4A/AISI 316L grade with high corrosion resistance

Square trim (overlapping)

1/0,6 W LED832, 24 V convex protective cover, domed	25/25/58	60 813 219
1/0,6 W LED832, 24 V flat protective cover, frosted	25/25/68	60 813 217
1/0,6 W LED860, 24 V convex protective cover, domed	25/25/58	60 813 218
1/0,6 W LED860, 24 V flat protective cover, frosted	25/25/68	60 813 216

Accessory

LEDOS III S concrete casting surround	60 800 674
LEDOS III S installation kit for cavity floors/ceilings/walls	60 800 676



LEDOS III M

[...] Shared properties LEDOS III M

- LED accent spotlight with lens optic for installing in floor, wall or ceiling
- Trim and luminaire housing are permanently fixed together
- Luminaire housing and transparent or frosted-look protective cover made of polycarbonate
- High-power LED with Spot, Flood, asymmetric and flat lens optic
- Colour temperature: 3200 K (LED832) or 6000 K (LED860)
- Colour rendering index: RA 80
- Degree of protection IP67, IP65 (when installed in closed ceilings)
- Protection class III
- Installed load: 1.25 W
- Protective low voltage: 24 V-DC SELV
- Power lead: 1 m (2-pole), with PG cable gland on housing
- Max. load for pedestrian traffic: 1000 kg
- Impact strength: IK 09
- Maximum surface temperature of protective cover is 40 °C
- Concrete casting surround required for installation in concrete floors, walls or ceilings (please order separately)
- Special installation kit (5-20 mm) required for installation in cavity floors, walls or ceilings (please order separately)
- Please order 24 V power packs separately (switched or dimmable)
- LED power unit (60 010 017), output signal: 24 V DC (via dip switch), output power: 20 W; switchable, optionally dimmable (pushDIM, 1-10 V) must be ordered separately
- External loop-in/loop-out of cable possible using IP67 universal box; please order separately

LEDOS III M D45 recessed floor luminaire, circular



- [...]
- Stainless steel trim, V4A/AISI 316L grade with high corrosion resistance

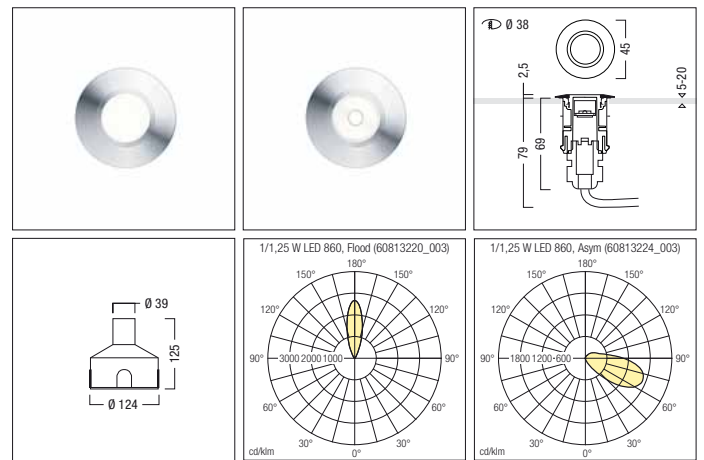
RD/R0 Order no.

Circular trim (overlapping)

1/1,25 W LED832, 24 V flat protective cover, frosted	79/38	60 813 227
1/1,25 W LED832, 24 V spot lens optic	79/38	60 813 223
1/1,25 W LED832, 24 V textured asymmetric lens optic	79/38	60 813 225
1/1,25 W LED832, 24 V textured flood lens optic	79/38	60 813 221
1/1,25 W LED860, 24 V flat protective cover, frosted	79/38	60 813 226
1/1,25 W LED860, 24 V spot lens optic	79/38	60 813 222
1/1,25 W LED860, 24 V textured asymmetric lens optic	79/38	60 813 224
1/1,25 W LED860, 24 V textured flood lens optic	79/38	60 813 220

Accessory

LEDOS III M concrete casting surround	60 800 675
LEDOS III M installation kit for cavity floors/ceilings/walls	60 800 677



LEDOS III M Q43 recessed floor luminaire, square

EL/EB/ET Order no.



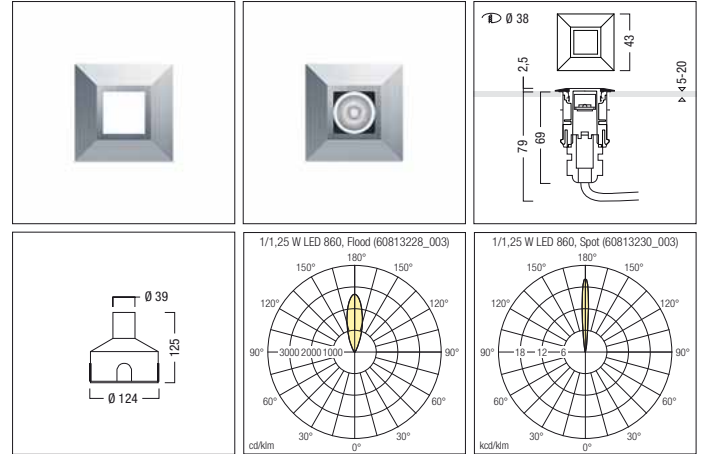
- [...]
- Stainless steel trim, V4A/AISI 316L grade with high corrosion resistance

Square trim (overlapping)

1/1,25 W LED832, 24 V flat protective cover, frosted	38/38/79	60 813 235
1/1,25 W LED832, 24 V spot lens optic	38/38/79	60 813 231
1/1,25 W LED832, 24 V textured asymmetric lens optic	38/38/79	60 813 233
1/1,25 W LED832, 24 V textured flood lens optic	38/38/79	60 813 229
1/1,25 W LED860, 24 V flat protective cover, frosted	38/38/79	60 813 234
1/1,25 W LED860, 24 V spot lens optic	38/38/79	60 813 230
1/1,25 W LED860, 24 V textured asymmetric lens optic	38/38/79	60 813 232
1/1,25 W LED860, 24 V textured flood lens optic	38/38/79	60 813 228

Accessory

LEDOS III M concrete casting surround	60 800 675
LEDOS III M installation kit for cavity floors/ceilings/walls	60 800 677



LEDOS III L

[...] Shared properties LEDOS III L

- LED accent spotlight with lens optic for ceiling or floor installation
- Luminaire housing made of die-cast aluminium, white powder-coated
- Uniformly illuminated, frosted-look protective cover
- Partially frosted glass cover (Spot / Flood models)
- LED unit can tilt through $\pm 15^\circ$ (Spot / Flood models)
- High-power LED with Superspot, Flood or flat lens optic
- Colour temperature: 3200 K (LED832) or 6000 K (LED860)
- Colour rendering index: RA > 80
- Degree of protection IP67, IP65 (when installed in closed ceilings)
- Protection class I
- With built-in power supply for 230 V operation
- Installed load: approx. 2.7 W
- Power lead: 1.5 m (3-pole), with PG cable gland on housing
- Max. load for pedestrian traffic: 1000 kg
- Impact strength: IK 08
- Maximum surface temperature of protective cover is 40 °C
- Use concrete casting surround for installing in concrete floors and ceilings (please order separately)
- Luminaire fixed in concrete casting surround by stainless steel clips on luminaire housing
- Installation kit required for installation in cavity floors or ceilings (10-25 mm) (please order separately)
- External loop-in/loop-out of cable possible using IP67 universal box; please order separately

LEDOS III L D89 recessed floor luminaire, circular



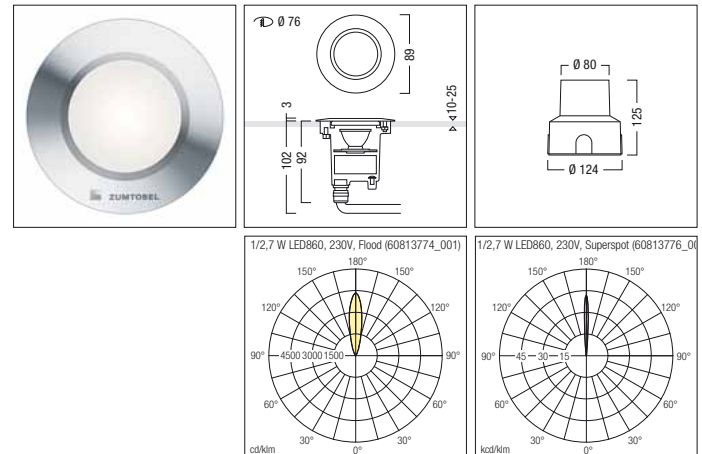
- [...]
- Stainless steel trim, V4A/AISI 316L grade with high corrosion resistance

Circular trim (overlapping)

	RD/R0	Order no.
1/2,7 W LED832, 230 V Glass cover, frosted, flat	102/76	60 813 779
1/2,7 W LED832, 230 V Superspot lens optic	102/76	60 813 777
1/2,7 W LED832, 230 V textured flood lens optic	102/76	60 813 775
1/2,7 W LED860, 230 V Glass cover, frosted, flat	102/76	60 813 778
1/2,7 W LED860, 230 V Superspot lens optic	102/76	60 813 776
1/2,7 W LED860, 230 V textured flood lens optic	102/76	60 813 774

Accessory

Concrete casting surround LEDOS III L D89	60 800 750
LEDOS III L installation kit for cavity floors and ceilings	60 800 753



LEDOS III L Q85 recessed floor luminaire, square



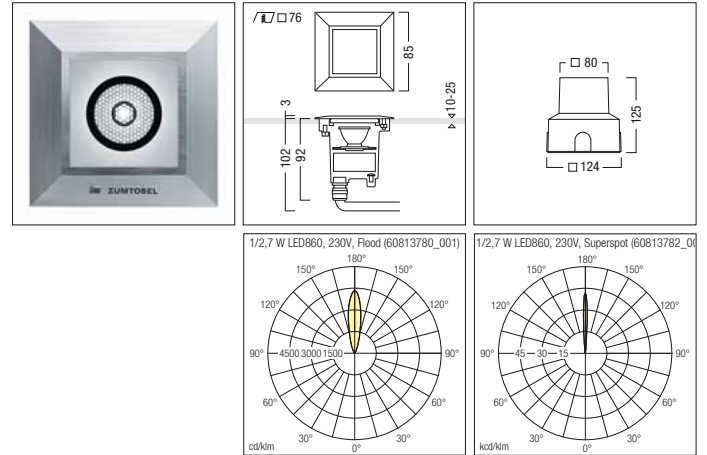
- [...]
 - Stainless steel trim, V4A/AISI 316L grade with high corrosion resistance

Square trim (overlapping)

	EL/EB/ET	Order no.
1/2,7 W LED832, 230 V Glass cover, frosted, flat		<i>electronic</i> 60 813 785
1/2,7 W LED832, 230 V Superspot lens optic		60 813 783
1/2,7 W LED832, 230 V textured flood lens optic		60 813 781
1/2,7 W LED860, 230 V Glass cover, frosted, flat		60 813 784
1/2,7 W LED860, 230 V Superspot lens optic		60 813 782
1/2,7 W LED860, 230 V textured flood lens optic		60 813 780

Accessory

Concrete casting surround LEDOS III L Q85		60 800 751
LEDOS III L installation kit for cavity floors and ceilings		60 800 753




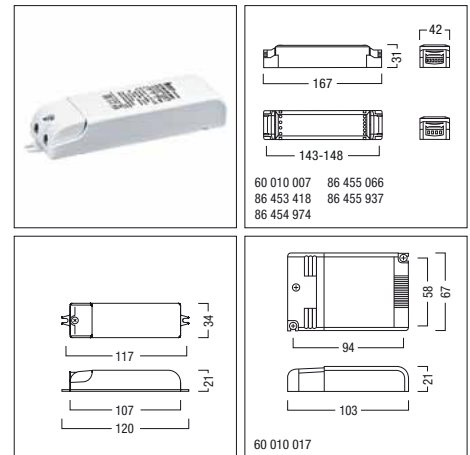
LEDOS III accessories

LED power packs

- LED power pack (60 010 022), output signal 24 V DC, output power 10 W
- LED power pack (86 453 418), output signal 24 V DC, output power 25 W
- LED power pack (60 010 017), output signal: 24 V DC (via dip switch), output power: 20 W; switchable, optionally dimmable (pushDIM, 1-10 V)

LED power packs

	L/W/H	Order no.
0025 K201 24 V 		86 453 418
ETR 230 V-AC / 24 V-DC / 10 W	120/34/21	60 010 022
LED control gear 25 W UNI (350-750 mA or 10/12/24 V by Dip Switch) / 1-10 V, 110-240 V AC	103/67/21	60 010 017

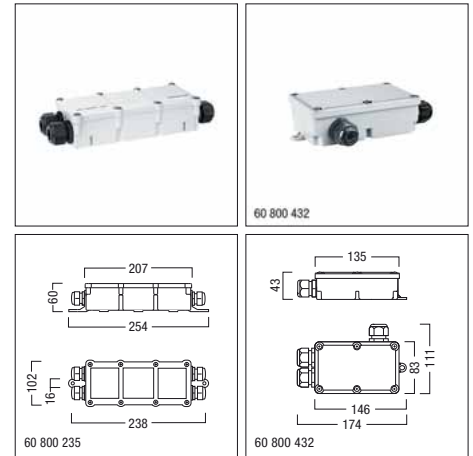


Universal boxes

- IP67 multipurpose box (60 800 235): designed for connecting up to 4 suitable cables; can be used to accommodate control gear or for loop-in/loop-out of mains power lines or bus lines.
- Cable entry via 4 SW32 (M25) cable glands for cable Ø 6.4–16 mm; includes 2 cable-gland plugs; 6-pole connecting terminal, max. conductor cross-section 4 x 2.5 mm²
- IP67 MINI multipurpose box (60 800 432): enables connection of up to 3 suitable cables (H07RN-F, etc.); for loop-on/loop-out of mains cables outside luminaire unit
- Three SW25 PG cable glands for cables Ø 4.3–11.9 mm; 4-pole connecting terminal, max. conductor cross-section 2.5 mm²

Universal boxes

	L/W/H	Order no.
IP67 multi-purpose box for transformer or through-wiring IP67	254/102/60	60 800 235
MINI IP67 multi-purpose box for transformer or through-wiring	174/111/43	60 800 432



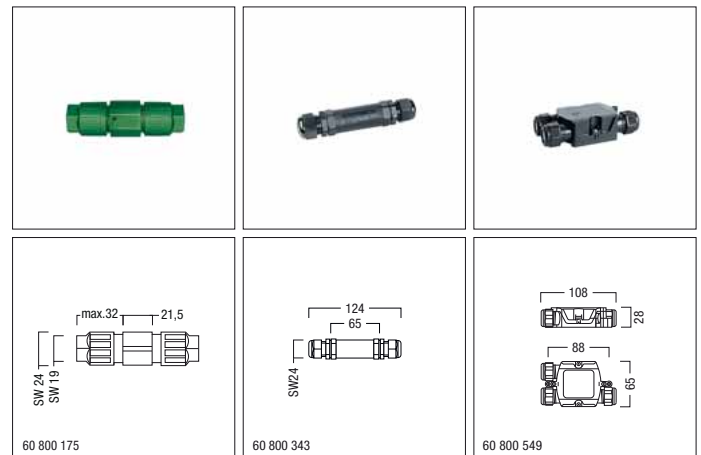
Cable connectors

- IP67 cable connector (60 800 175): 4-pole, max. 1.5 mm²; cable ends are fed through gland (providing seal) into cable connecting terminal; cables can be disconnected, e.g. when replacing LED circuit boards modules
- IP67 cable connector (60 800 343): 3-pole, 4 mm²; cable ends are fed through gland into screw terminals; cables can be disconnected if needed
- Cable connector for 3 cables, IP67 (60 800 549): 3-pole, 1.5 mm², IP67; allows up to 3 cables to be connected plus connecting terminal; can also be used for cable loop-in/loop-out

Cable connector

3-way IP67 cable connector, 3 x 1.5 mm ²	60 800 549
IP67 cable connector, 3 x 4.0 mm ²	60 800 343
IP67 cable connector, 4 x 1.5 mm ²	60 800 175

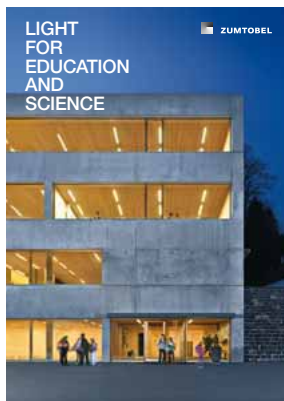
60 800 175: suitable for LEDOS III M / L.



Order no.



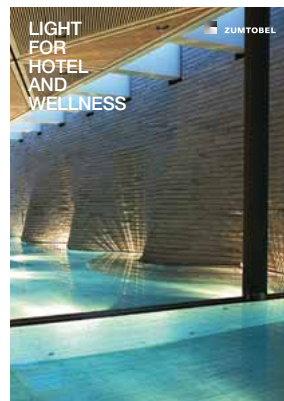
zumtobel.com/office



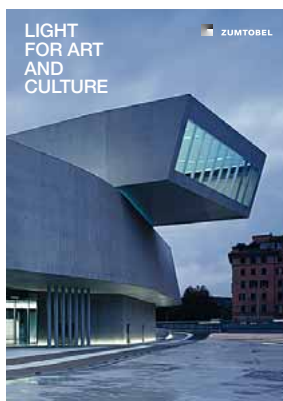
zumtobel.com/education



zumtobel.com/shop



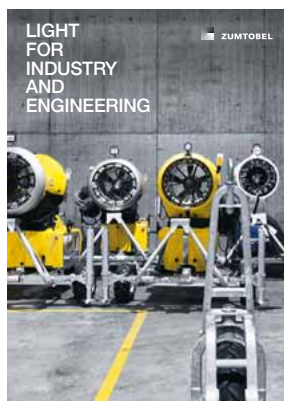
zumtobel.com/hotel



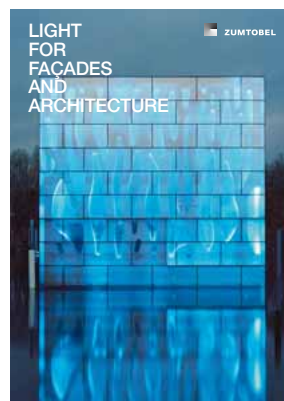
zumtobel.com/culture



zumtobel.com/healthcare



zumtobel.com/industry



zumtobel.com/facade

Zumtobel is the internationally leading supplier of integral lighting solutions for professional interior and exterior lighting applications.

- Offices and Communication
- Education and Science
- Presentation and Retail
- Hotel and Wellness
- Art and Culture
- Health and Care
- Industry and Engineering
- Façades and Architecture

We provide unique customer benefits by integrating technology, design, emotion and energy efficiency. Under the Humanergy Balance concept, we combine the best possible ergonomic lighting quality for an individual's well-being with the responsible use of energy resources. The company's own sales organisations in twenty countries, as well as commercial agencies in fifty other countries, form an international network of experts and design partners providing professional lighting consulting, design assistance and comprehensive services.

Lighting and sustainability

In line with our corporate philosophy "We want to use light to create worlds of experience, make work easier and improve communications and safety while remaining fully aware of our responsibility to the environment", Zumtobel offers energy-efficient high-quality products, while at the same time making sure that our production processes based on the considerate use of resources are environmentally compatible.

zumtobel.com/sustainability



Top quality – with a five-year guarantee.

As a globally leading luminaire manufacturer, Zumtobel provides a five-year guarantee for its complete product range with effect from 1 April 2010.

zumtobel.com/guarantee

Order no. 04924169-EN 03/12 © Zumtobel Lighting GmbH
 Technical data was correct at time of going to press.

We reserve the right to make technical changes without notice. Please contact your local sales office for further information. For the sake of the environment: Luxo Light is chlorine-free paper from sustainably managed forests and certified sources.





Track and spots



Downlights



Wall-mounted luminaires



Recessed luminaires



Surface-mounted and pendant luminaires



Free-standing luminaires



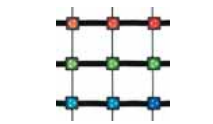
Continuous-row system, individual batten luminaires and modular lighting systems



High-bay luminaires and floodlight reflector systems



Luminaires with extra protection



Building facades and media luminaires



Lighting management system



Emergency lighting



Medical supply systems

United Kingdom

Zumtobel Lighting Ltd.
Address until 31st May 2012:
Unit 4 - The Argent Centre,
Pump Lane
Hayes/Middlesex UB3 3BL
T +44/(0)20 8589 1800
F +44/(0)20 8756 4800
uksales@zumtobel.com
www.zumtobel.co.uk

Address from 1st June 2012:

Chiltern Hill
Chalfont St. Peter
Gerrard Cross
Buckinghamshire SL9 9UQ
uksales@zumtobel.com
www.zumtobel.co.uk

USA and Canada

Zumtobel Lighting Inc.
17-09 Zink Place, Unit 7
Fair Lawn, NJ 07410
3300 Route 9W
Highland, NY 12528
T +1/(0)845/691 6262
F +1/(0)845/691 6289
zli.us@zumtobel.com
www.zumtobel.us

Australia and New Zealand

Zumtobel Lighting Pty Ltd
333 Pacific Highway
North Sydney, NSW 2060
T +61/(2)8913 5000
F +61/(2)8913 5001
info@zumtobel.com.au
www.zumtobel.com.au

China

Zumtobel Lighting China
Shanghai office
Room 101,
No 192 YIHONG Technology Park
Tianlin Road, Xuhui District
Shanghai City, 200233, P.R. China
T +86/(21) 6375 6262
F +86/(21) 6375 6285
sales.cn@zumtobel.com
www.zumtobel.cn

Hong Kong

Zumtobel Lighting Hong Kong
Unit 319, Level 43,
Tower 1, Metroplaza,
223 Hing Fong Road,
Kwai Chung, N.T.
T +852/(0)2503 0466
F +852/(0)2503 0177
info.hk@zumtobel.com

India

Zumtobel Lighting GmbH
A 274, 1st Floor,
Defence Colony,
110024 New Delhi
T +91/98 102 19 531
enquiries.india@zumtobel.com

Singapore

Zumtobel Lighting Southeast Asia
5 Kaki Bukit Crescent,
#04-02 Koyotech Building
416238 Singapore
T +65 6844 5800
F +65 6745 7707
info.sg@zumtobel.com

United Arab Emirates

Zumtobel Lighting GmbH (Branch)
Dubai Airport Free Zone,
Building 6W, B Block, 233
PO Box 54302
Dubai
T +971/(0)4 299 3530
F +971/(0)4 299 3531
info@zumtobeluae.ae

Romania

Zumtobel Lighting Romania SRL
Tipografilor 11-15,
S-Park Office, Wing A1-A2
013714 Bucharest
T +40 312253801
F +40 312253804
welcome.ro@zumtobel.com
www.zumtobel.com

Hungary

Zumtobel Lighting Kft
Lomb u. 15
1139 Budapest
T +36/(1) 35 00 828
F +36/(1) 35 00 829
welcome@zumtobel.hu
www.zumtobel.hu

Croatia, Bosnia and Herzegovina

Zumtobel Licht d.o.o.
Radnička cesta 80 – Zagrebtower
10000 Zagreb
T +385/(1) 64 04 080
F +385/(1) 64 04 090
welcome@zumtobel.hr
welcome.ba@zumtobel.com

Serbia

Zumtobel Licht d.o.o.
Karadjordjeva 2-4
Beton Hala
11000 Belgrade
T +381/(0)11 65 57 657
F +381/(0)11 65 57 658
welcome@zumtobel.rs

Czech Republic and Slovak Republic

Zumtobel Lighting s.r.o.
Jankovcova 2
Praha 7
170 00 Praha
T +420/(2) 66 782 200
F +420/(2) 66 782 201
welcome@zumtobel.cz
www.zumtobel.cz

Poland

Zumtobel Licht GmbH Sp.z.o.o.
Platinum III
ul. Wotoska 9a
02-583 Warszawa
T +48/(22) 856 74 31
F +48/(22) 856 74 32
welcome@zumtobel.pl
www.zumtobel.pl

Slovenia

Zumtobel Licht d.o.o.
Štukljeva cesta 46
1000 Ljubljana
T +386/(1) 5609 820
F +386/(1) 5609 866
welcome@zumtobel.si
www.zumtobel.si

Russia

Zumtobel Lighting GmbH
Official Representative Office
Skakovaya Str. 17
Bld. No 1, Office 1104
125040 Moscow
T +7/(495) 945 36 33
F +7/(495) 945 16 94
info-russia@zumtobel.com
www.zumtobel.ru

Norway

Zumtobel Belysning
Hoffsveien 4
Postboks 1025 Hoff
0218 Oslo
T +47 22 06 50 50
F +47 22 06 50 52
firmapost@zumtobel.com
www.zumtobel.no

Sweden

Zumtobel Belysning
Birger Jarls gatan 57
113 56 Stockholm
T +46 8 26 26 50
F +46 8 26 56 05
info.se@zumtobel.com
www.zumtobel.se

Denmark

Light Makers AS
Indiavej 1
2100 København/Copenhagen
T +45 35 43 70 00
F +45 35 43 54 54
lm.sales@lightmakers.dk
www.lightmakers.dk

Headquarters

Zumtobel Lighting GmbH
Schweizer Strasse 30
Postfach 72
6851 Dornbirn, AUSTRIA
T +43/(0)5572/390-0
F +43/(0)5572/22 826
info@zumtobel.info

Zumtobel Licht GmbH
Grevnarschstrasse 74-78
32657 Lemgo, GERMANY
T +49/(0)5261 212-0
F +49/(0)5261 212-7777
info@zumtobel.de

www.zumtobel.com

LEDOS III

Recessed LED luminaires

Accentuating, guiding,
designing: the third genera-
tion provides quintessential
application diversity and
efficiency.

